

Croma 100
Croma 100 Vario hand shower EcoSmart 9 l/min
 Surfaces: **chrome** Article Number: **28537000**

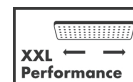


Description

product features

- shower head size: 100 mm
- spray type adjustment by turning spray disc
- spray type: Rain, Shampoo spray, Normal spray, Massage spray
- maximum flow rate (at 0.3 MPa): 9 l/min
- with internal water conduction
- rinseable dirt filter
- connection thread G ½
- connection dimension: DN15
- suitable for continuous flow water heaters
- SVGW 0706-5231
- DVGW NW-6517CM0350
- P-IX 18335/ID
- WELL ZD10456-20120502
- ACS 13 ACC NY 045, valide jusqu'au 05.03.2018
- WRAS 1205395
- Kiwa K6053_Showers

Technology



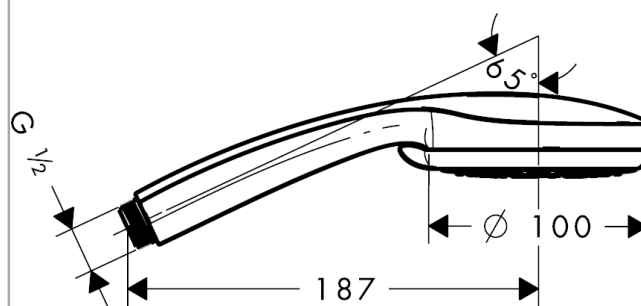
Certificates



Product image



Scale drawing



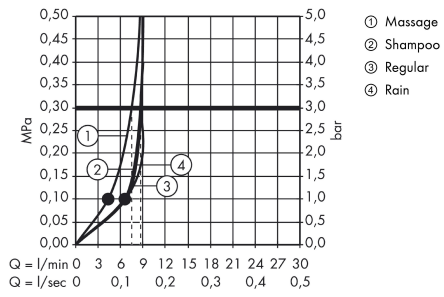
Croma 100

Croma 100 Vario hand shower EcoSmart 9 l/min

Surfaces: chrome Article Number: 28537000



Flowchart



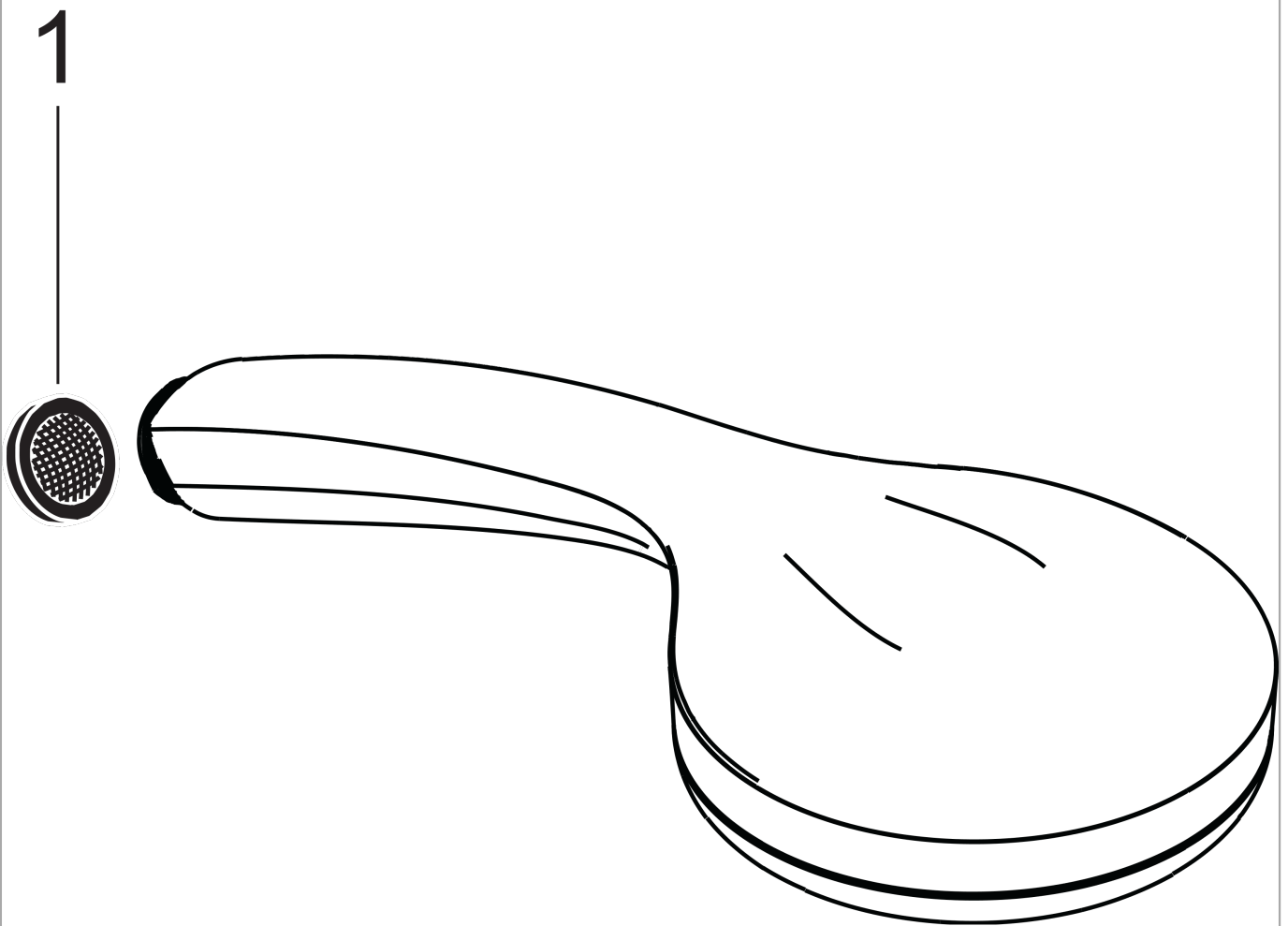
The consumption was measured in combination with the appropriate fittings (thermostat/mixer/in-wall valve) to reflect actual application in practice.

Croma 100
Croma 100 Vario hand shower EcoSmart 9 l/min
Surfaces: **chrome** Article Number: **28537000**



Exploded Drawing

Year of production: >08/10



Croma 100
Croma 100 Vario hand shower EcoSmart 9 l/min
Surfaces: **chrome** Article Number: **28537000**



Spare part list

Year of production: >08/10

Pos.	Description	Article Number	PC	PU
1	filter packing	94246000	-	1