

Shower holder

Surfaces: **chrome** Article Number: **28321000**



Description

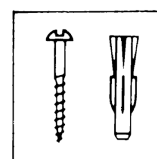
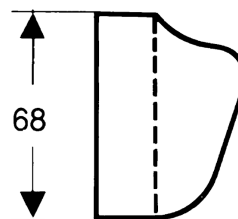
product features

- fixed holding position
- for hoses with conical nut

Product image



Scale drawing



Shower holder

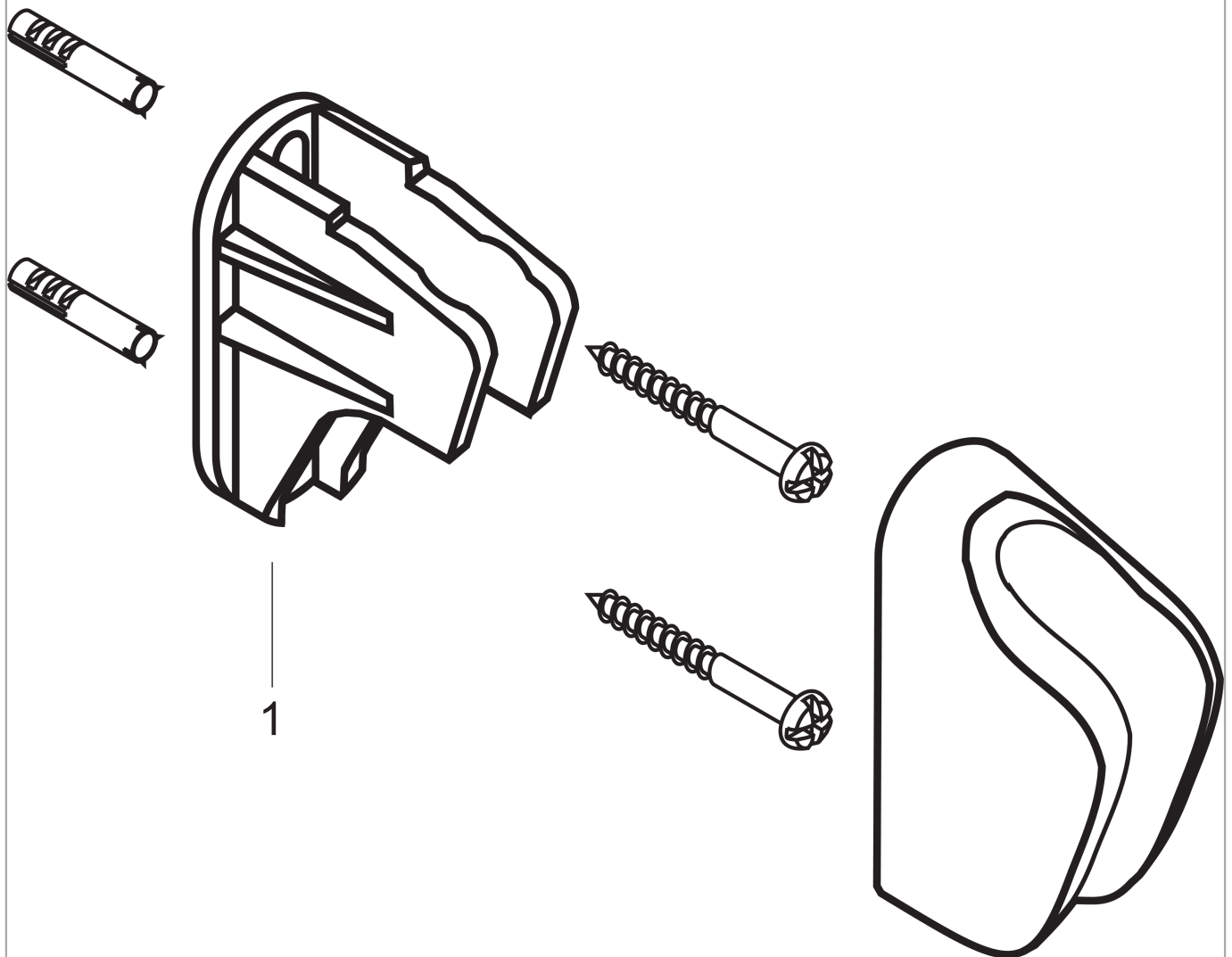
Surfaces: **chrome**

Article Number: **28321000**



Exploded Drawing

Year of production: >10/81



Shower holderSurfaces: **chrome** Article Number: **28321000****Spare part list**

Year of production: >10/81

Pos.	Description	Article Number	PC	PU
1	support element	97534000	-	1