

VIVA®



Vedi diagramma pressione temperatura
PN 40
See Pressure-temperature Diagram

MASSIMA ROBUSTEZZA
HEAVY DUTY

ALTA RESISTENZA AL GELO -20°C
HIGH RESISTANCE TO LOW TEMPERATURE -20°C

SISTEMA DI AUTOLAVAGGIO INTERNO
SELF CLEANING BALL SYSTEM

98/83/CE
ACQUA POTABILE
POTABLE WATER

VVS
740833.xxx

Kuglehane med slangeforskr.
1/2" - 3/4" Bib cock with
hose connector 1/2" - 3/4"

TEKNISKE EGENSKABER:

Temperatur grænser: for væsker -20°C til + 90°C

Tryk grænser: for væsker PN40

SPECIFIKKE KARAKTERISTIKA:

- VIVA kuglehane er et pålideligt og enkelt produkt
- Flowet er direkte, med begrænset tryktab. En flow filter er indbygget som standard.
- Kontrol af åben/lukket funktion ses tydeligt og umiddelbart, via håndtagets position.
- Enkel og let betjening.
- Den lange levetid, opnås ved hjælp af PTFE pakninger der beskytter kuglen.
- Selvrensende kugle system
- Anti Blow-Out spindel med 3 pakninger.

Applikationer:

VIVA serien er velegnet til distribution af varmt og koldt vand.

Gevind og tilslutninger:

Standard udvendig, i henhold til ISO 228/1

Betjening / håndtag:

Aluminium håndtag

Farve: Blå

TECHNICAL FEATURES:

Temperature limits: for fluids from -20°C to +90°C

Pressure limits: for fluids PN 40

SPECIFIC FEATURES:

- The VIVA valve is a product easy and reliable.
- The flow is direct, with limited head losses; a flow strainer is mounted as a standard feature.
- The check of open and closed position is immediate, through the lever position.
- Easy and rapid maneuver.
- The long endurance is guaranteed by wrapping PTFE seats mutually protecting the ball.
- Self cleaning ball system.
- Anti blow-Out stem with 3 seats.

Application fields:

VIVA series is suitable for the distribution of hot and cold water.

Threaded end connections:

Standard Male according to ISO 228/1.

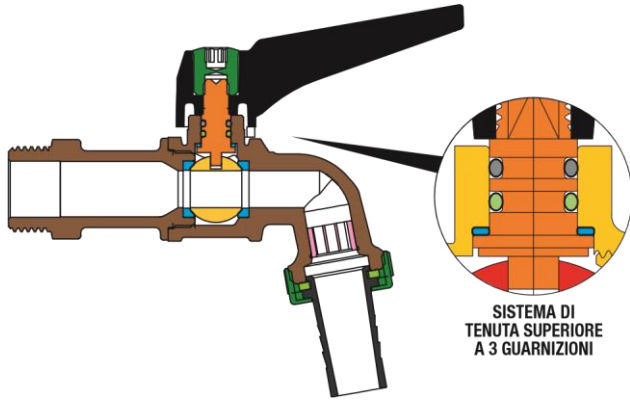
Operation devices:

Aluminum lever

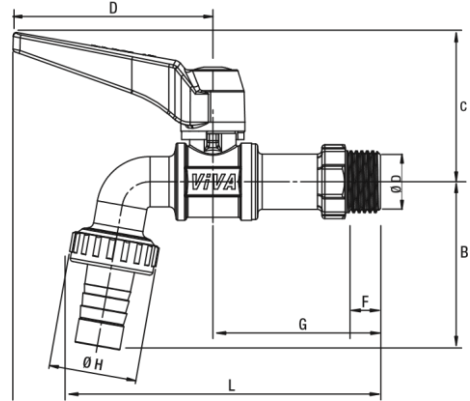
Available color: Blue

All the valves are tested 100% on pneumatic seal with electronic control.

TVÆRSNIT / SECTION



DIMENSION / DIMENSIONS

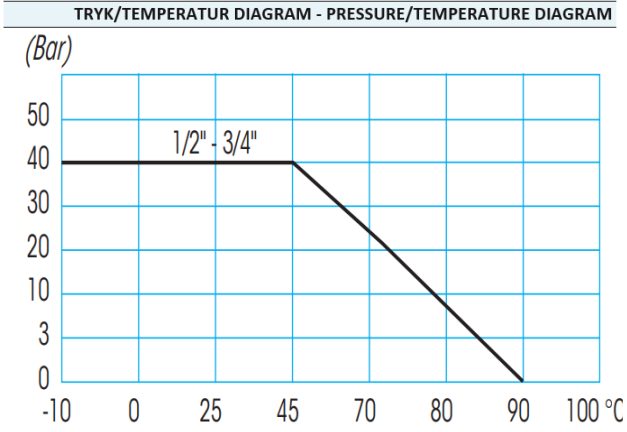
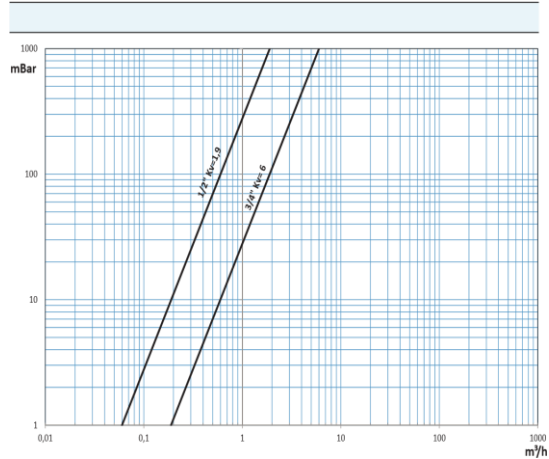


KOMPONENTLISTE: beskrivelse / materiale / overflade
LIST OF COMPONENTS: description/materials/treatments

Ventilhus og gevind Body and threaded end	● CW617N (Pb ≤ 2,2%)
Spindel Stem	● CW617N (Pb ≤ 2,2%)
Hårdt forkromet kugle Chromium pl. polished ball	● CW617N (Pb ≤ 2,2%)
Sædepakninger Seats	● PTFE
Spindelpakning O-ring Stem packing O-ring	● HNBR
Spindelpakning O-ring Stem packing O-ring	● EPDM PEROXID / EPDM PEROXIDE
Håndtag Operating device	● Aluminiumshåndtag / Aluminum Lever
Fikser skrue Fixing screw	● CW617N
Møtrik Nut	● CW617N
Filter Filter	● plastica / plastic
Pakning for slantetilslutning Sealing for hose connector	● ELASTOMER / ELASTOMER
Slantetilslutning Hose connector	● CW617N (Pb ≤ 2,2%)
Overflade Surface treatment	- Forniklet overflade, messing indv. Nickel plating outside, plain brass inside

DIMENSIONSTABEL: dimension pr type og størrelse
VALVE DIMENSIONS PER TYPE AND SIZE

Diameter nominal mm nominal diameter mm	15	20						
Størrelse i tomme size in inches	1/2"	3/4"						
Ø D boring mm D bore mm ball	10	15						
B mm	56	59						
C mm	50	55						
D mm	67	67						
F mm	12	12,5						
G mm	56	58,5						
L mm	104	111						
Ø H mm	15,2	20						



I tilfælde af frost og isdannelse, anbefaler vi at installationen tømmes for vand, samt kuglehanen betjent flere gange for at sikre at hanen er fuldstændig tømt. Vi anbefaler at kuglehanen isoleres termisk, for at undgå denne frostrisiko.

In the event of freezing and ice, we recommend the installation must be drained and the valve operated several times to ensure that it is fully drained. We suggest that the valve be thermally insulated to avoid this risk