



UNI EN ISO 9001: 2008



ISO 14001: 2004



**EFFEBI Spa**

Via Giuseppe Verdi, 68 - 25073 Bovezzo (Bs) - Italy

Tel. +39 030 211010 - Fax +39 030 2110302

Internet: [www.effebi.it](http://www.effebi.it) - E-mail: [effebi@effebi.it](mailto:effebi@effebi.it)

# SKY®

**SAFE**

**HOME SWEET HOME IN WINTER TIME**







DVGW  
CERT

CEN EN 13828

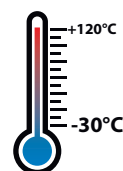
98/83/CE  
POTABLE WATER  
DRIKKEVAND

# SKY®

PATENTED  
DESIGN  
PATERERET  
DESIGN



EDS  
PATENTED SYSTEM  
PATERERET SYSTEM



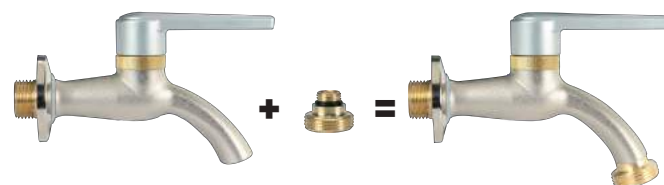
art. 1750 Outdoor Tap 1/2"  
Udendørs aftapshane 1/2"

- Sky is an innovative design outdoor Tap with **patented Ice-Proof and Leak Free System EDS** (Elastic Double Seat).
- Stylish Italian design, Made in Italy.
- Self cleaning ball, avoiding water stagnation.
- The very best of Italian Technology, beauty of forms coupled with Functionality.

- Skyer en innovativ designet udendørs aftapshane med et **patenteret Frost-sikring og Dryp frit system EDS** (Elastic Double Seat).
- Italiensk design, Made in Italy.
- Selvrensende kugle, for eliminering af stillestående vand.
- Det bedste indenfor Italiensk teknologi, æstetik koblet med funktionalitet.

The patented system of ball and seats, allows the wash-out of the water from the ball.  
For further informations, see the instructions's manual.

Det patenterede system af kugle og sædepakninger, sikrer tømning af vand fra kuglen.  
For yderligere informationer, se instruktionsmanualen.



### AVAILABLE WITH FOLLOWING KITS - TILGÆNGELIG MED FØLGENDE KITS

- In the box you will find:
- 1 x M 3/4" Adaptor for hose connector
  - 1 x Plastic Key to unscrew the plastic filter
  - 3 x Plastic Spare Filters
  - 2 x Spare Flat Rubber Gaskets for hose connector
  - 1 x User Manual

- I kassen finder du:
- 1 x nipple 3/4" adapter for slantetilslutning
  - 1 x kontra ventil
  - 1 x Plastik nøgle til afmontering af filter
  - 3 x Plastik filtre - reserve
  - 2 x Flad gummi pakning for slantetilslutning - reserve
  - 1 x bruger manual



UNIVERSAL ADAPTOR KIT 3/4"  
INCLUDED IN THE BOX  
UNIVERSAL NIPPEL ADAPTER KIT 3/4"  
INKLUDERET I KASSEN

Art. K016G425



HOSE CONNECTOR  
SLANGE TILSLUTNING

Art. K002G016



TURNABLE HOSE CONNECTOR  
WITH QUICK COUPLING  
STILBAR SLANGE TILSLUTNING  
MED LYN KOBLING

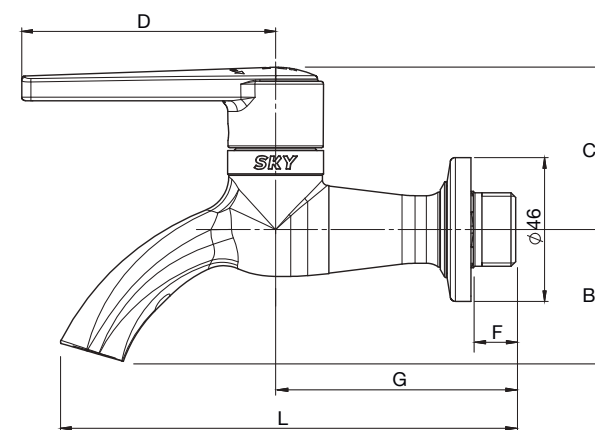
Art. K014G402



TURNABLE FILTER  
STILBAR FILTERRENED

Art. K019G402

### DIMENSIONS / DIMENSIONER



### VALVE DIMENSIONS PER TYPE AND SIZE KUGLEHANE DIMENSION PR TYPE OG STØRRELSE

nominal diameter mm nominel diameter mm	15				
size in inches Størrelse i tommes	1/2"				
Ø A bore mm ball Ø A hul mm, kugle	10				
B mm	37				
C mm	47				
D mm	72				
F mm	12				
G mm	68				
L mm	129				

### LIST OF COMPONENTS: description/materials/treatments KOMPONENTLISTE: Beskrivelse/materialer/behandling

Body Ventilhus	CW617N (Pb ≤ 2,2%) 98/83/CE POTABLE WATER CW617N (Pb ≤ 2,2%) 98/83/CE DRIKKEVAND
Filter Filter	Plastic / Plastik
O-ring O-ring	EPDM Perox
Antifriction ring Antifriktion ring	PTFE
Seats Pakninger	PTFE
Screw Skrue	AISI 316
Lever Håndtag	Aluminium Lever / Aluminiumhåndtag
Stem Spindel	CW617N (Pb ≤ 2,2%) 98/83/CE POTABLE WATER CW617N (Pb ≤ 2,2%) 98/83/CE DRIKKEVAND
Nut Møtrik	CW617N
Protection plate Beskyttelsesplade	CW617N
Lateral seal Tværgående pakning	PTFE
Ball 3 Way 3 Vejs kugle	CW617N (Pb ≤ 2,2%) 98/83/CE POTABLE WATER CW617N (Pb ≤ 2,2%) 98/83/CE DRIKKEVAND

### TECHNICAL FEATURES:

Temperature limits: -30°C to + 120°C

Pressure limits: PN 100

### SPECIFIC FEATURES:

- Bore: reduced.
- Stem: anti blow out.
- Seats: high resistance virgin PTFE.
- Upper seal: **4 seals**
  - 1 PTFE ring - high pressure
  - 2 anti-friction self-adjusting cone shaped seals in PTFE - medium and low pressure
  - 1 O-Ring Epdm Perox low pressure.

### Threaded end connections:

- Standard male according to UNI ISO 228/1.

### Operation devices:

Aluminium lever.

All the valves are tested 100% on pneumatic seal with electronic control.

### TEKNISKE SPECIFIKATIONER:

Temperatur grænser: -30°C bis +120°C

Tryk grænser: PN 100

### ØVRIGE SPECIFIKATIONER:

- Boring: reduceret.
- Spindel: Anti blow out.
- Sædepakninger: Høj resistente PTFE.
- Øvre pakninger: **4 pakninger**
  - 1 PTFE ring - høj tryk.
  - 2 anti friktions selv-justerbare konisk formede pakninger i PTFE - medium og lavtryk.
  - 1 O-ring Epdm Perox lavtryk.

### Gevind og tilslutninger:

- Standard nippel jf. UNI ISO 228/1.

### Håndtag:

Aluminium

Alle kuglehaner er gennemtestet 100 % med pneumatisk tæthedspøve med elektronisk kontrol.

### PRESSURE/TEMPERATURE DIAGRAM - TRYK / TEMPERATURDIAGRAM

