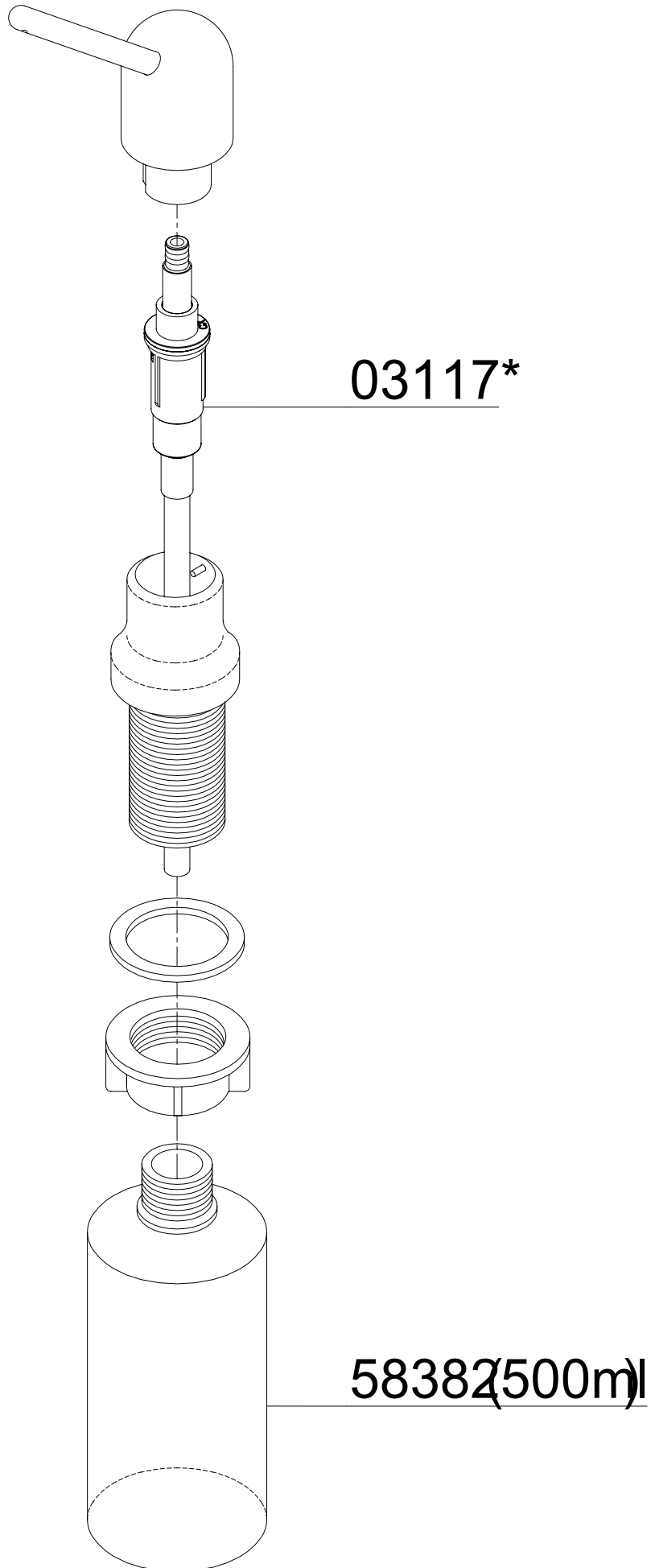


48000/48084



\* after may 2010