

Pipe trap standard model

Surfaces: **chrome** Article Number: **53002000**



Description

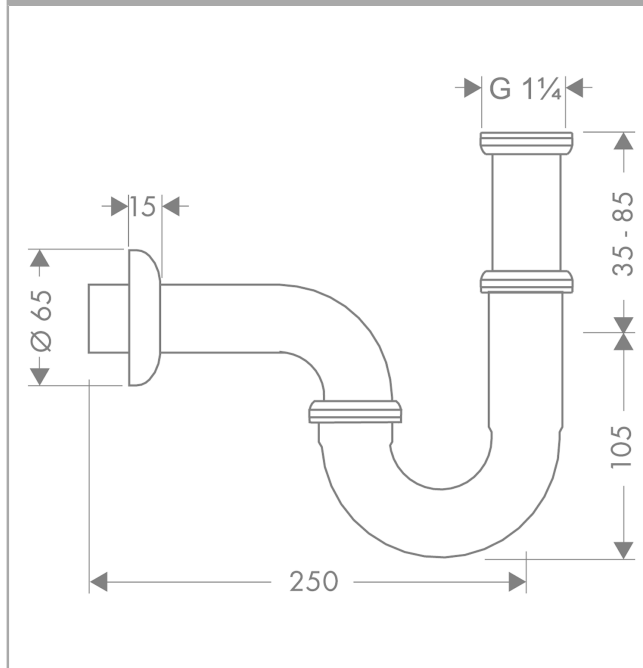
product features

- scope of supply: upright pipe 85 mm, wall pipe, escutcheon Ø 65 mm
- adjustment distance 35 - 85 mm
- distance to wall 250 mm
- connection dimension outlet G 1¼

Product image



Scale drawing



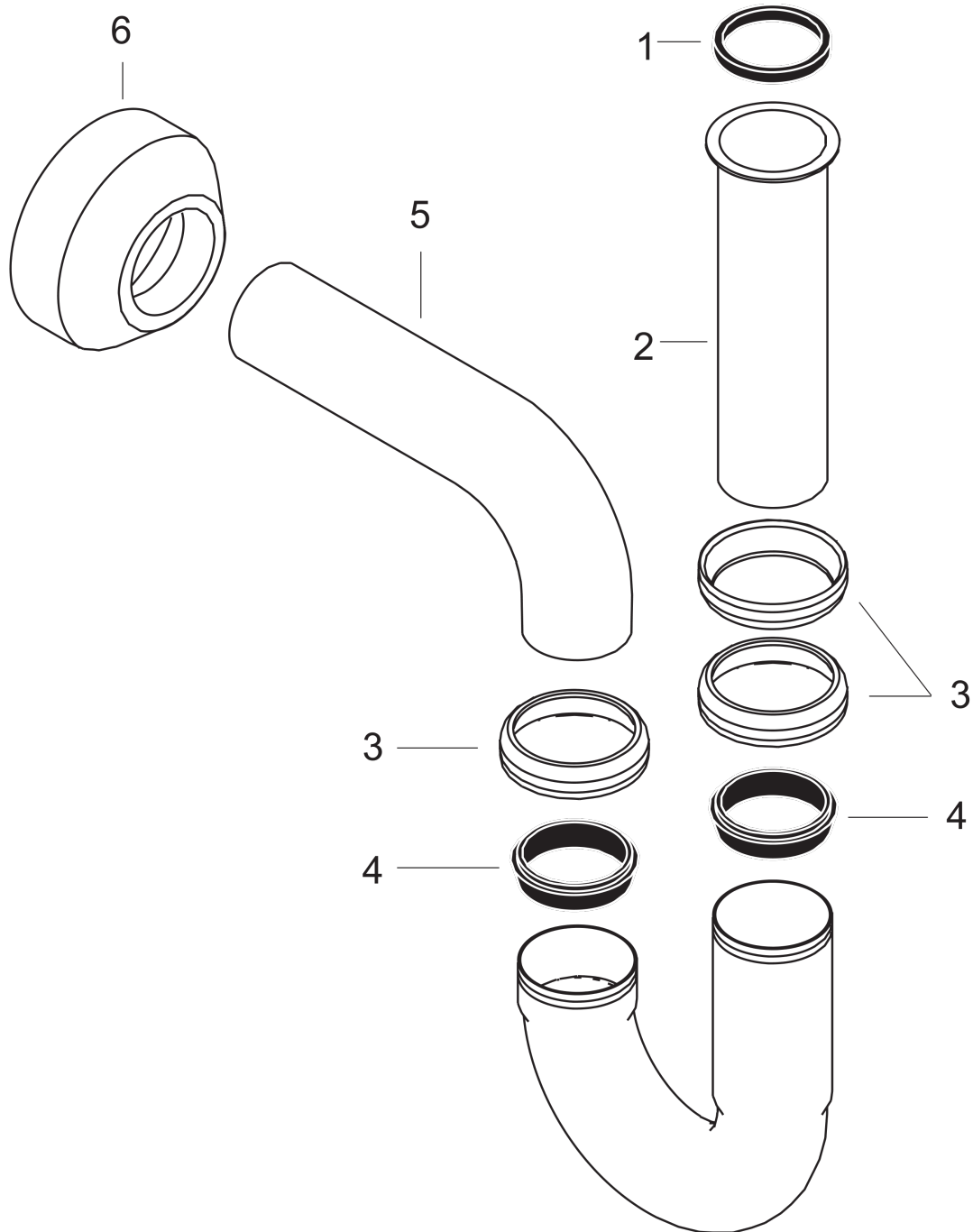
Pipe trap standard model

Surfaces: **chrome** Article Number: **53002000**



Exploded Drawing

Year of production: >07/77



Pipe trap standard model

Surfaces: **chrome** Article Number: **53002000**



Spare part list

Year of production: >07/77

Pos.	Description	Article Number	PC	PU
1	seal 1¼"	53971000	-	1
2	original spare part no longer available, replaced with pipe 1¼" 300 mm	53428000	-	1
3	hand nut 1¼"	53951000	-	1
4	wedge-shaped seal 1¼"	53985000	-	1
5	bent outlet basin-trap 220 mm	96808000	-	1
6	flange 1¼"x70x32	53968000	-	1