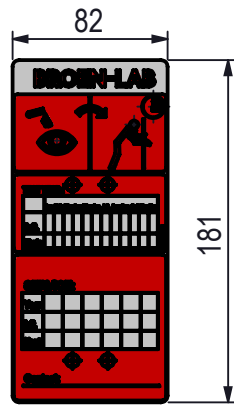
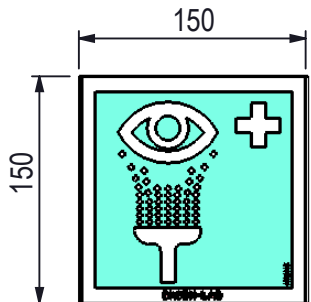


Signs & Instructions: 17001900



Description:		Eye shower with bowl, wall mounted	
Media:		Water	
Material:			
Specification:			
Comments:			
Drawing type:		Customer drawing	Weight: 3.429 Kg
All dimensions made with  are inspection dimensions			
Unspecified linear tolerances:		Unspecified angular tolerances:	
Designed by:	Drawn by:	Released on TM No.:	Date:
HEM	AAH		21-10-16
Format:	Drawing No.:		17528009C
A4			

Rev.	Pos.	Date	TM No.	Design by	Drawn by	Change:

**BROEN-LAB** This drawing is our property and cannot be given to a third party, copied or otherwise used without our permission. BROEN-LAB A/S