

4

3

2

1

D

D

C

C

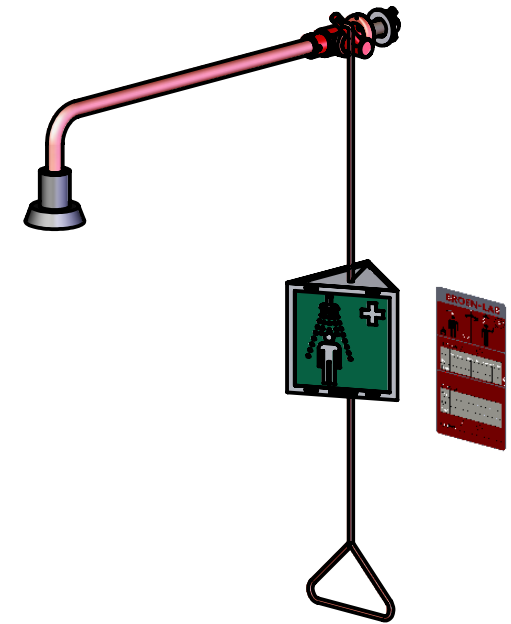
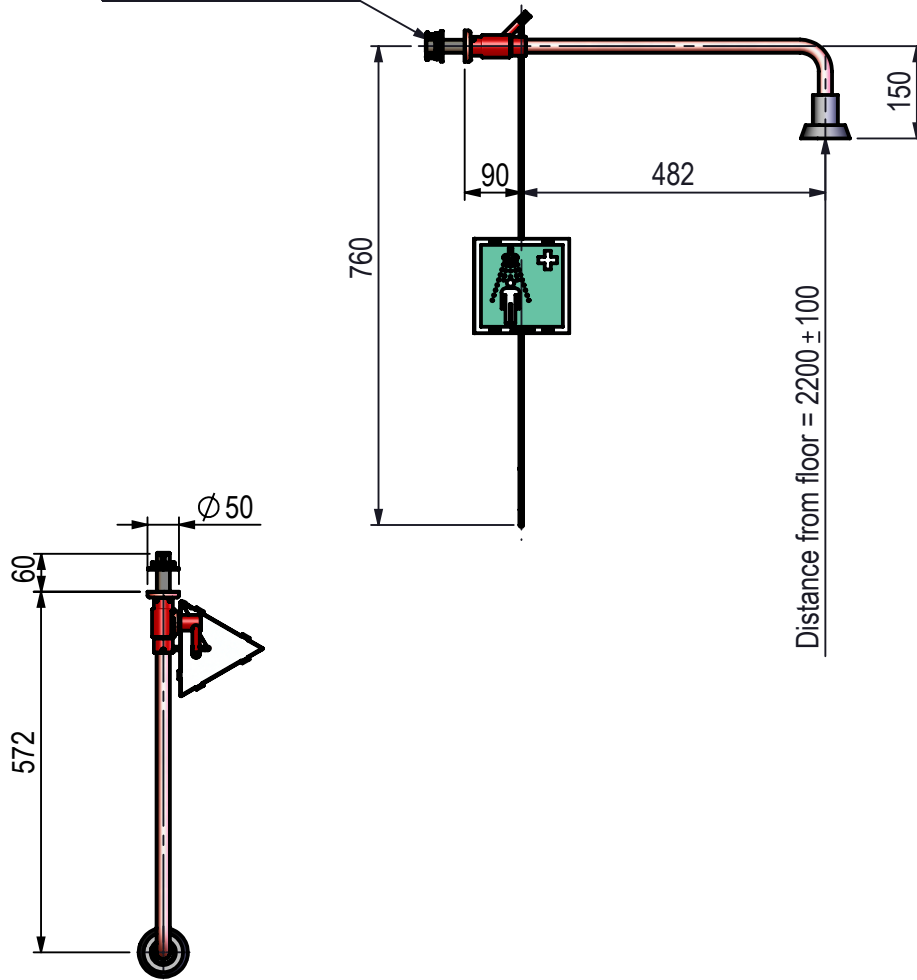
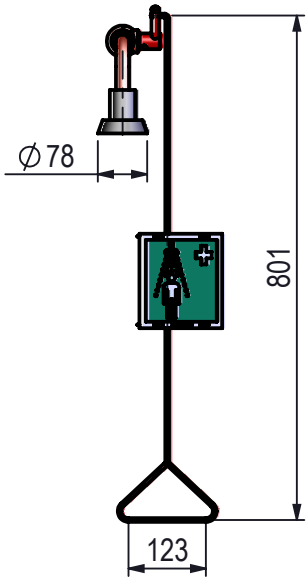
B

B

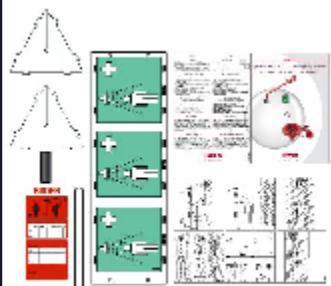
A

A


Inlet:
Male ISO 228-1 G1/2"



Signs & Instructions: 17001910



Description:	Body shower, wall mounted
Media:	Water
Material:	
Specification:	
Comments:	

Drawing type:	Customer drawing	Weight:	2.079 Kg
All dimensions made with  are inspection dimensions			
Unspecified linear tolerances:		Unspecified angular tolerances:	

Rev.	Pos.	Date	TM No.	Design by	Drawn by	Change:

Designed by:	Drawn by:	Released on TM No.	Date:
HEM	AAH		21-10-16
Format:	Drawing No.:		
A4	17581009C		

BROEN-LAB

This drawing is our property and cannot be given to a third party, copied or otherwise used without our permission. BROEN-LAB A/S.

4

3

2

1