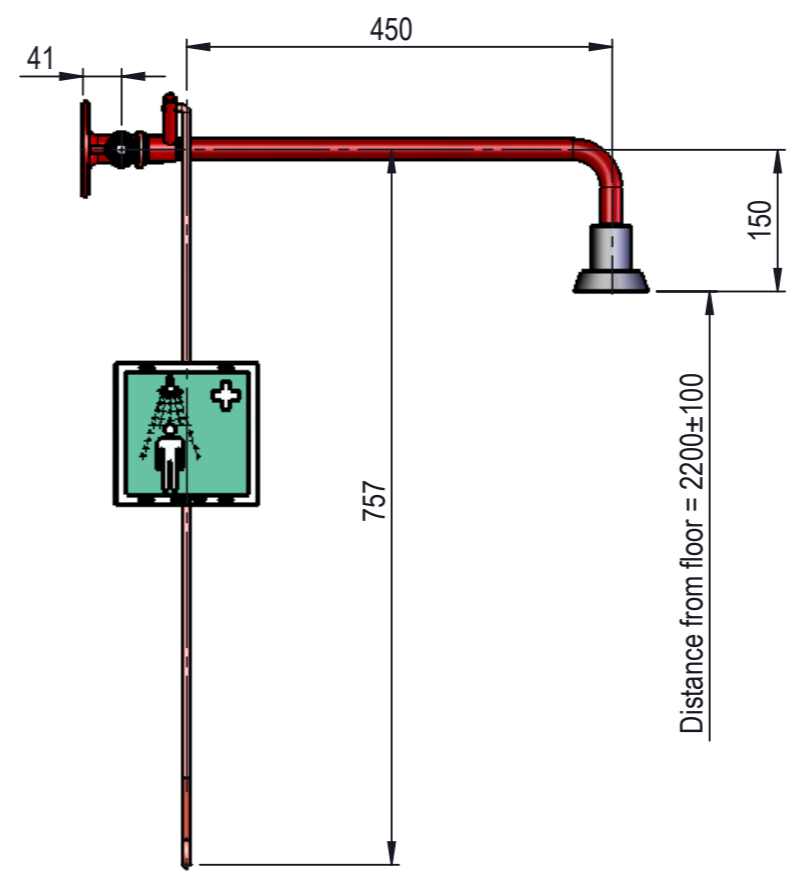
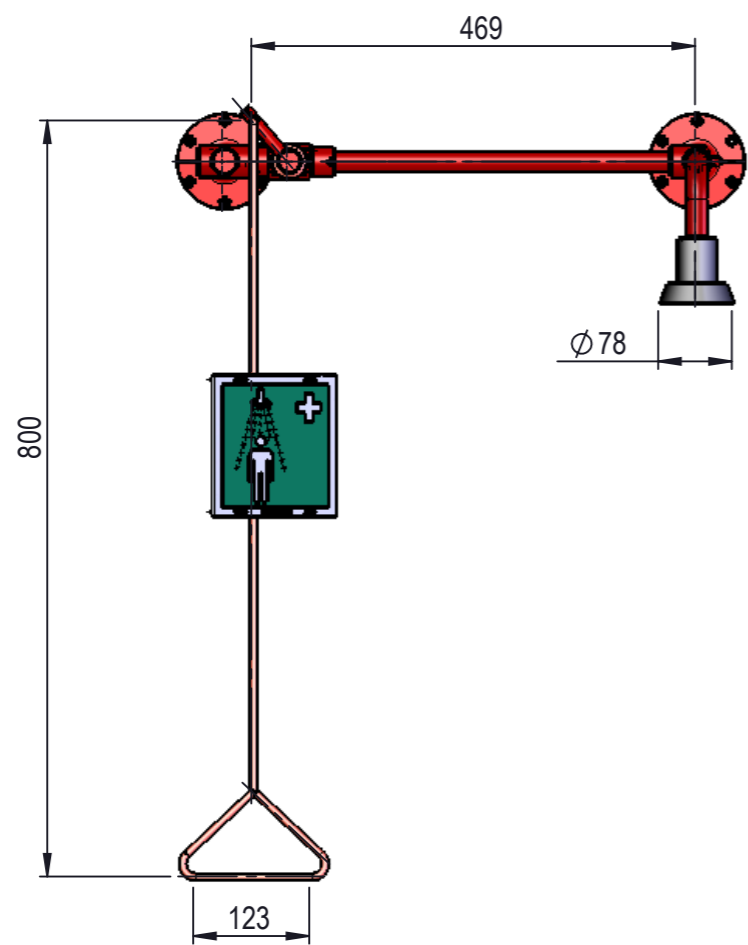


D

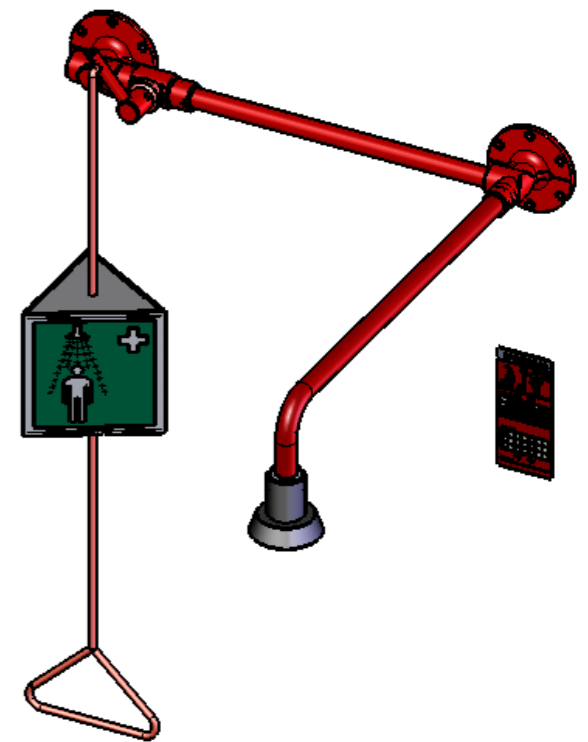
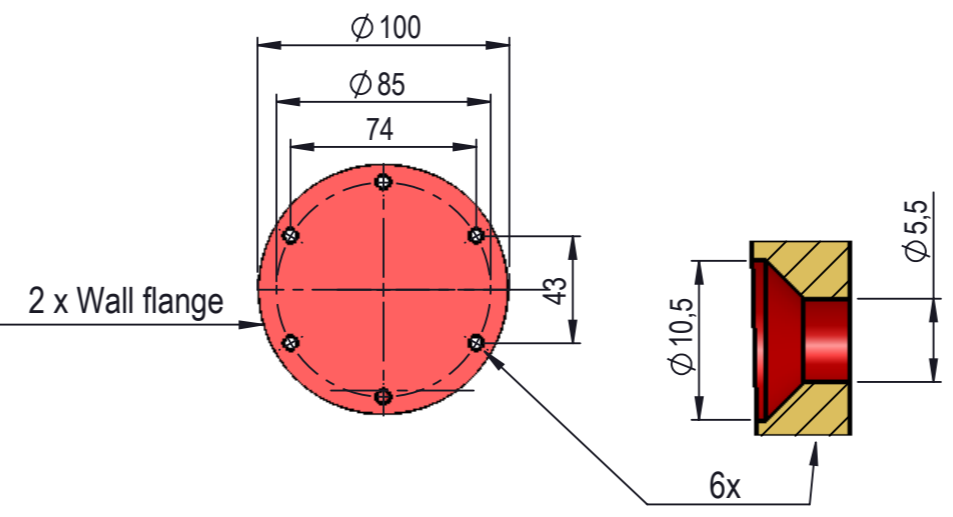
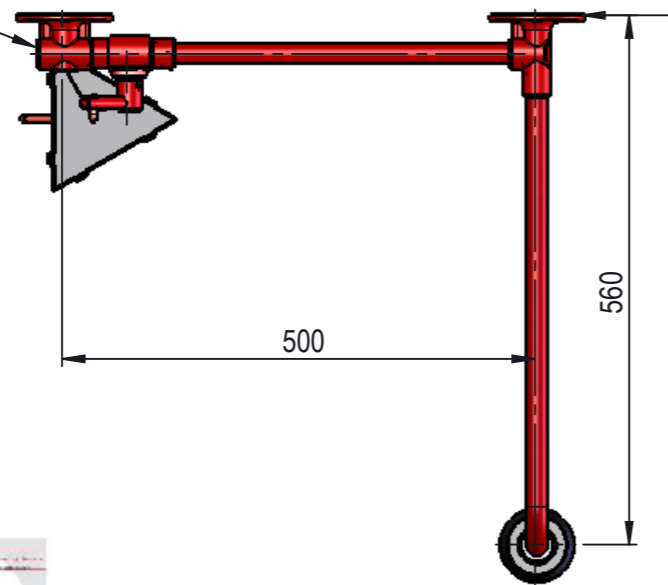
C

B

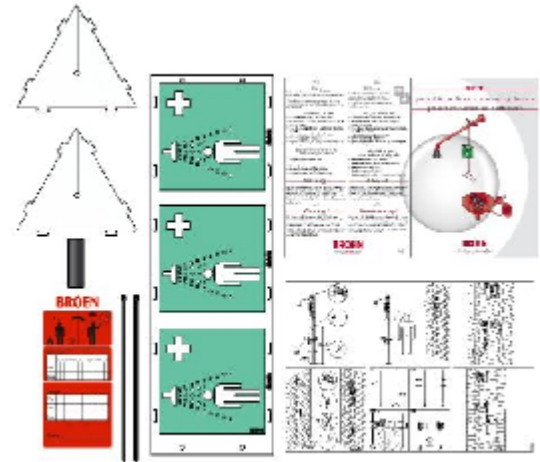
A



Inlet:  
Female ISO 228-1 G<sup>3</sup>/<sub>4</sub>"



Signs & Instructions 17001910



Description:		Body shower, wall mounted over door, exposed piping	
Media:		Water	
Material:			
Specification:			
Comments:			
Drawing type:		Customer drawing	Weight: 3.967 Kg
All dimensions made with  are inspection dimensions			
Unspecified linear tolerances:		Unspecified angular tolerances:	
Designed by:	Drawn by:	Released on TM No.:	Date:
HEM	HEM	6817	21-10-2016
Format:	Drawing No.:		17587009C
A3			

Rev.	Pos.	Date	TM No.	Design by	Drawn by	Change:

This drawing is our property and cannot be given to a third party, copied or otherwise used without our permission. BROEN-LAB A/S

**BROEN-LAB**

