

8 7 6 5 4 3 2 1

D

D

C

C

B

B

A

A

Inlet: Female ISO 228-1 G 3/4"

473 (C)

150

Ø78

Distance from floor = 2200 ± 100

760

1462

349

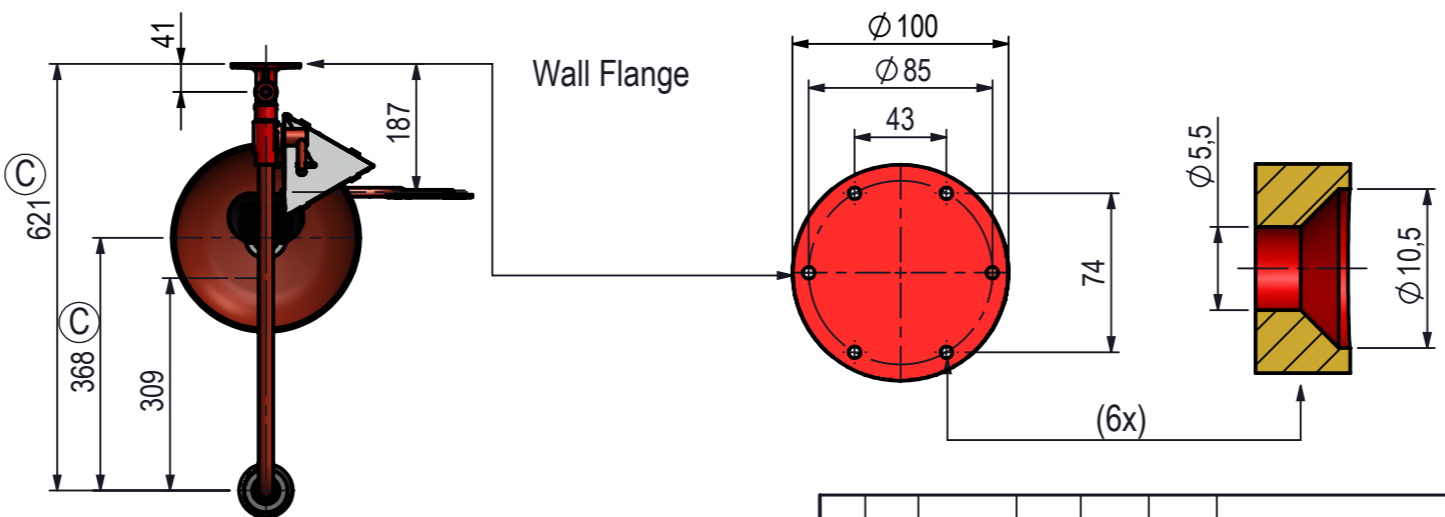
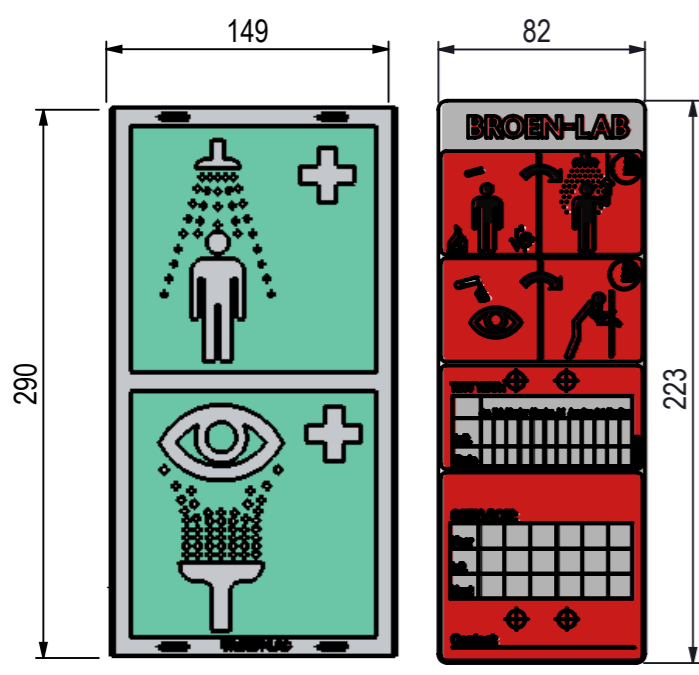
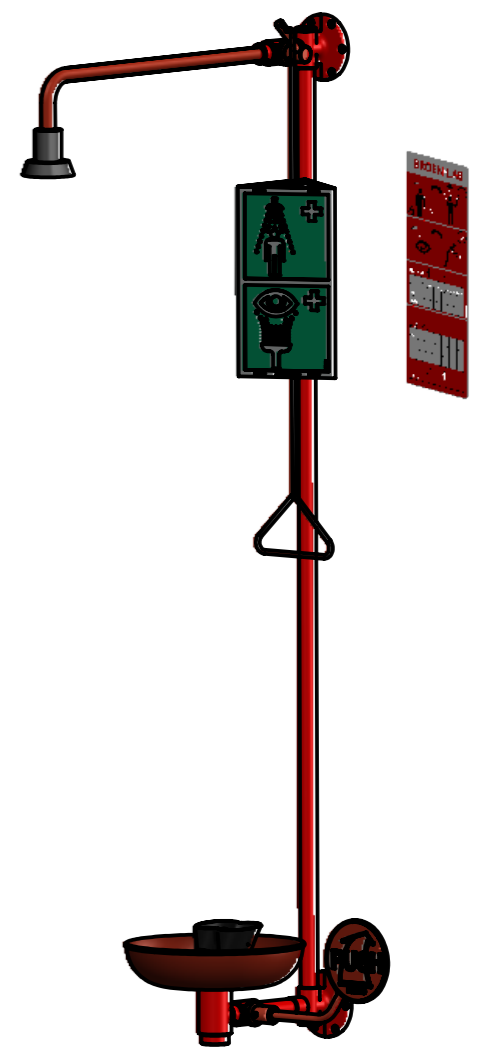
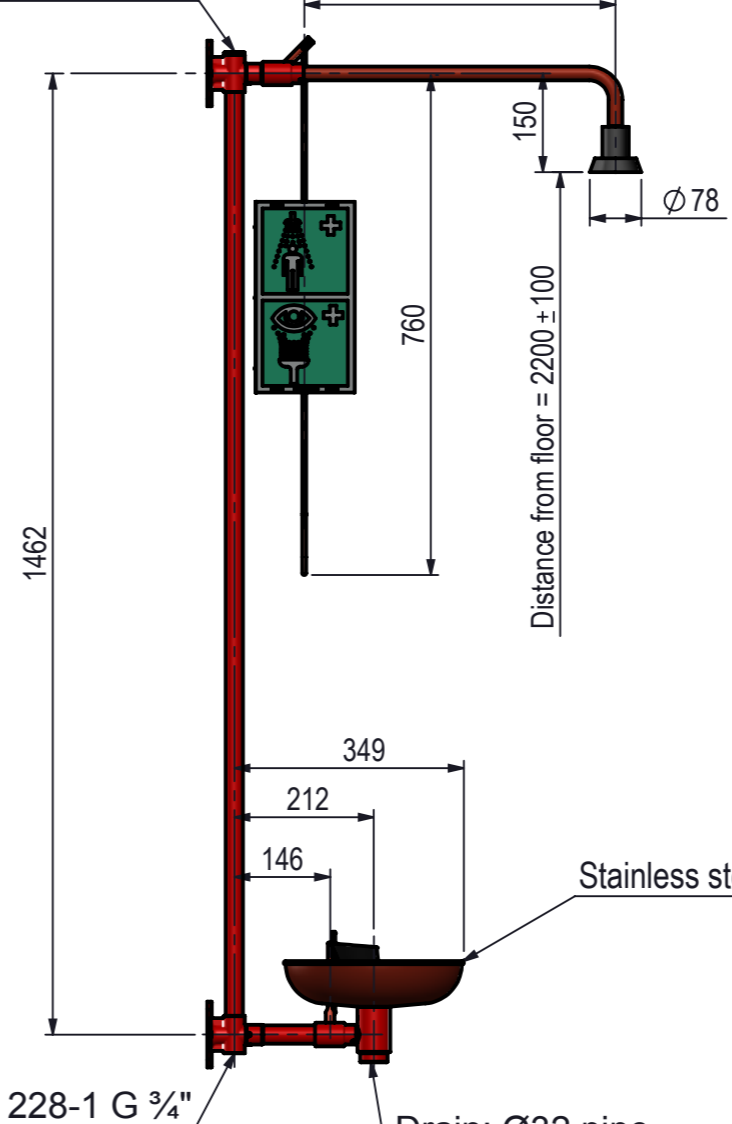
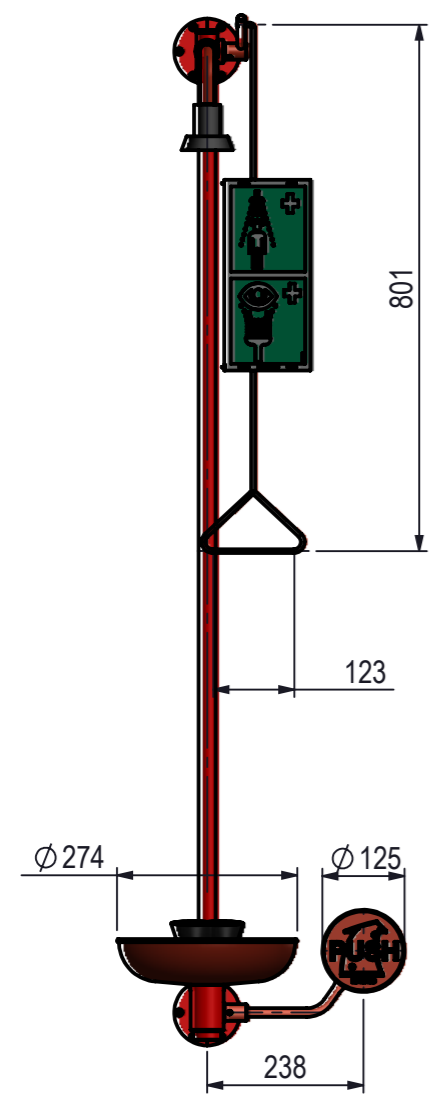
212

146

Stainless steel

Inlet: Female ISO 228-1 G 3/4"

Drain: Ø32 pipe  
Male ISO 228-1 G1 1/4"



Description:		Body & eye shower, Wall mounted	
Media:		Water	
Material:			
Specification:			
Comments:			
Drawing type:		Customer drawing	Weight: 9.415 Kg
All dimensions made with  are inspection dimensions			
Unspecified linear tolerances:		Unspecified angular tolerances:	
Designed by:	Drawn by:	Released on TM No.:	Date:
HEM	AAH	6817	21-10-16
Format:	Drawing No.:		17552009C
A3			

C	D3	05-09-18	7268	HEM	HEM	473; 621; 368 was 551; 699, 446
Rev.	Pos.	Date	TM No.	Design by	Drawn by:	Change:
<p><b>BROEN-LAB</b> This drawing is our property and cannot be given to a third party, copied or otherwise used without our permission. BROEN-LAB A/S</p>						

8 7 6 5 4 3 2 1