

Bath towel holder

Surfaces: **chrome** Article Number: **40516000**



Description

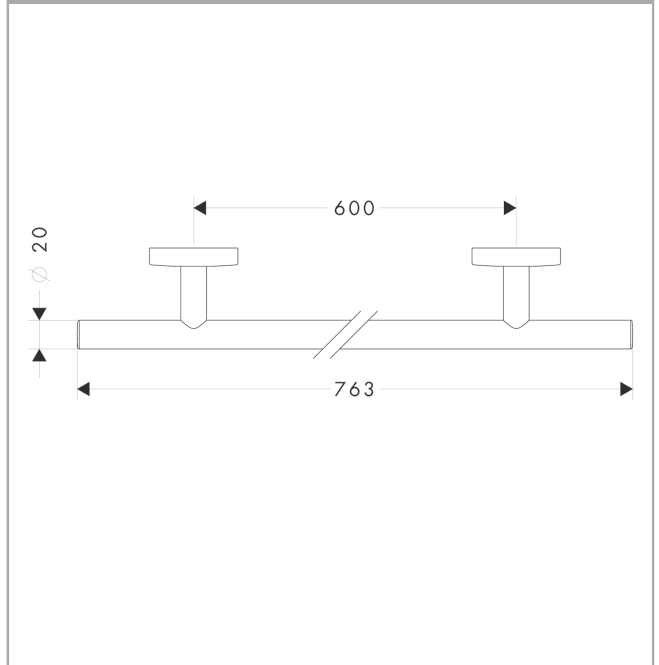
product features

- material: brass
- material holder: metal
- length 763 mm
- drilling distance 565 - 635 mm
- wall-mounted

Product image



Scale drawing



Bath towel holder

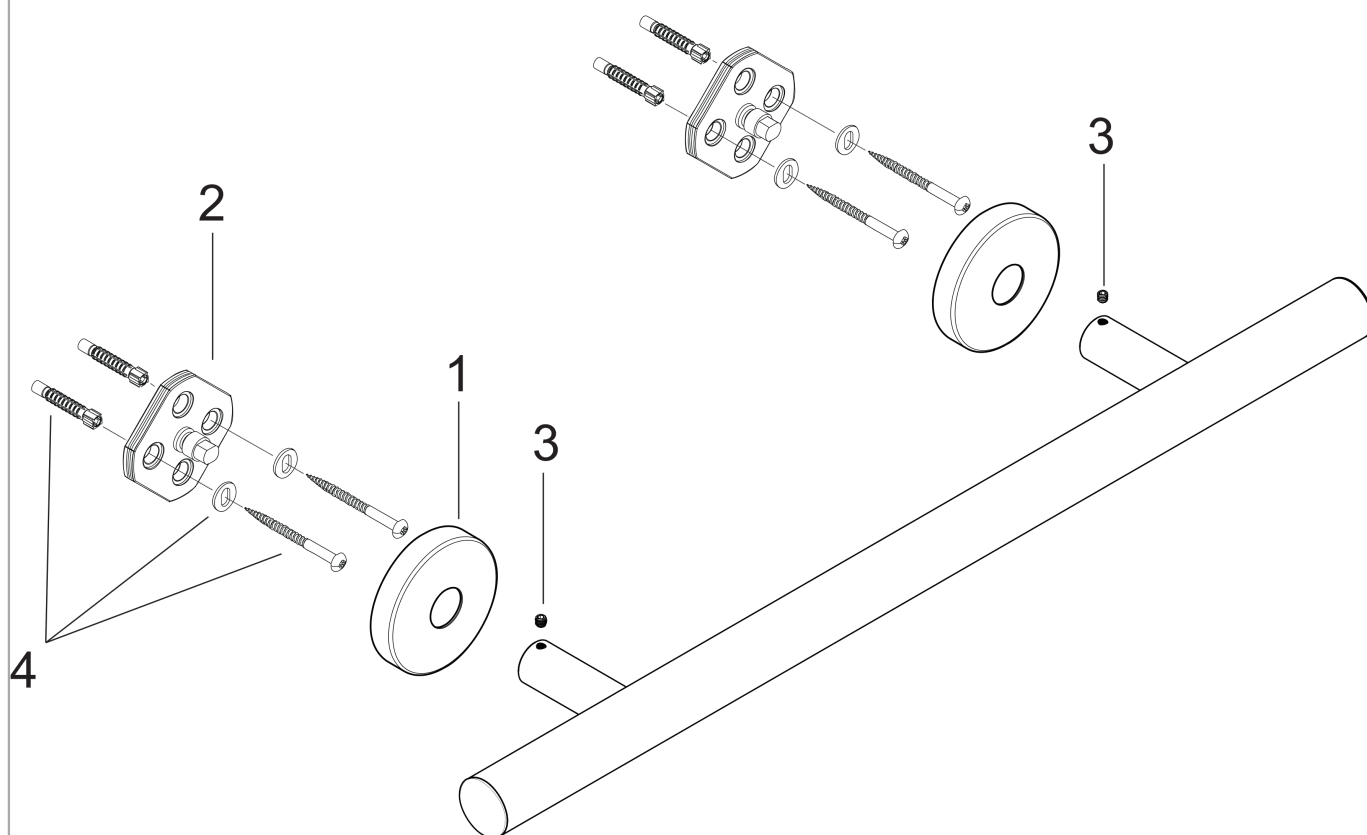
Surfaces: **chrome**

Article Number: **40516000**



Exploded Drawing

Year of production: >09/08



Bath towel holderSurfaces: **chrome** Article Number: **40516000****Spare part list**

Year of production: >09/08

Pos.	Description	Article Number	PC	PU
1	escutcheon	95108000	-	1
2	support element	98539000	-	1
3	hollow set screw M4x4	98540000	-	1
4	mounting set	96179000	-	1