

Product Documentation



Product Name: Maxi toilet roll holder, small, acrylic front

Article Number: 14.7087.02.002

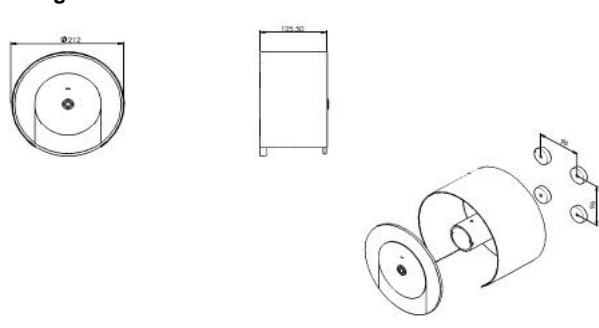
Satin stainless steel

Polished stainless steel

Photo:



Drawing:



Product Information:

Material: AISI 316 stainless steel
Surface finish: Satin 320 grain or polished
Material thickness / Radius: Ø212
Height: 212mm Width: 212mm Depth: 125,5mm

Product Specification:

d line "Type product description text here"

The high humidity levels in the bathroom setting necessitates the use of a non-corrosive rustresistant stainless steel. the only metal used in d line's bathroom fittings is AISI 316, also known as marine quality stainless steel.

Certificate: -
Warranty: 20 years (non moveable parts)

Spare Parts / Accessories:

- 14708600000, Toilet paper small
- P0000007090, Spacers, small, for maxi roll holder 4 pcs.
- 14983493000, Drill template no. 93, f/ maxi toilet roll, small
- P0000000454, Accessories f/bathroom, Ø4,5x70/plug 8x40,set a' 4 pcs
- 14710000000, Spare key for Sanitary Panel, d line

Related Products:

- 14708702300, Brackets f/maxi roll holder, back-to-back fixing, small

Mounting:
"Type description for way of mounting here"

Packing
1 pcs. per kolli

Maintenance:
Wash down with mild detergent, rinse off with clean water and dry off with soft dry cloth.

Environment:
No environmental risk and no risk of fire