

Product Documentation



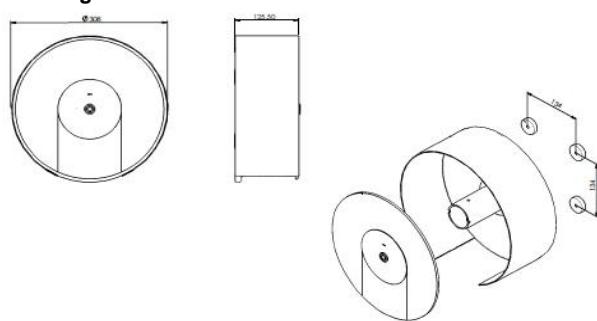
Product Name: Maxi toilet roll holder, large, acrylic front

Article Number: 14.7087.02.201
Satin stainless steel

Photo:



Drawing:



Product Information:

Material: AISI 316 stainless steel
Surface finish: Satin 320 grain or polished
Material thickness / Radius: Ø308
Height: 308mm
Width: 308mm
Depth: 125,5mm

"Type design guidelines here"

Certificate: -
Warranty: 20 years (non moveable parts)

Spare Parts / Accessories:

14708600100, Toilet paper large
P0000007090, Spacers, small, for maxi roll holder 4 pcs.
P0000000454, Accessories for bathroom, Ø4,5x70/plug 8x40,set a' 4 pcs
14710000000, Spare key for Sanitary Panel, d line
14983494000, Drill template no. 94, f/ maxi toilet roll, large

Mounting:

Ø4,5x70mm with plug 8x40mm. Please use the correct screws and plugs for the type of wall

Maintenance:

Wash down with mild detergent, rinse off with clean water and dry off with soft dry cloth.

Product Specification:

d line Maxi toilet roll holder Ø 308 x d123 mm with acrylic front AISI 316 satin stainless steel

The high humidity levels in the bathroom setting necessitates the use of a non-corrosive rustresistant stainless steel. the only metal used in d line's bathroom fittings is AISI 316, also known as marine quality stainless steel.

Related Products:

14708702400, Brackets f/maxi roll holder, back-to-back fixing, small

Packing

1 pcs. per kolli

Environment:

No environmental risk and no risk of fire